

# PARTS CATALOG

**Crawler Excavator  
R16-7**

*Use the bookmarks for navigation inside the Parts book*

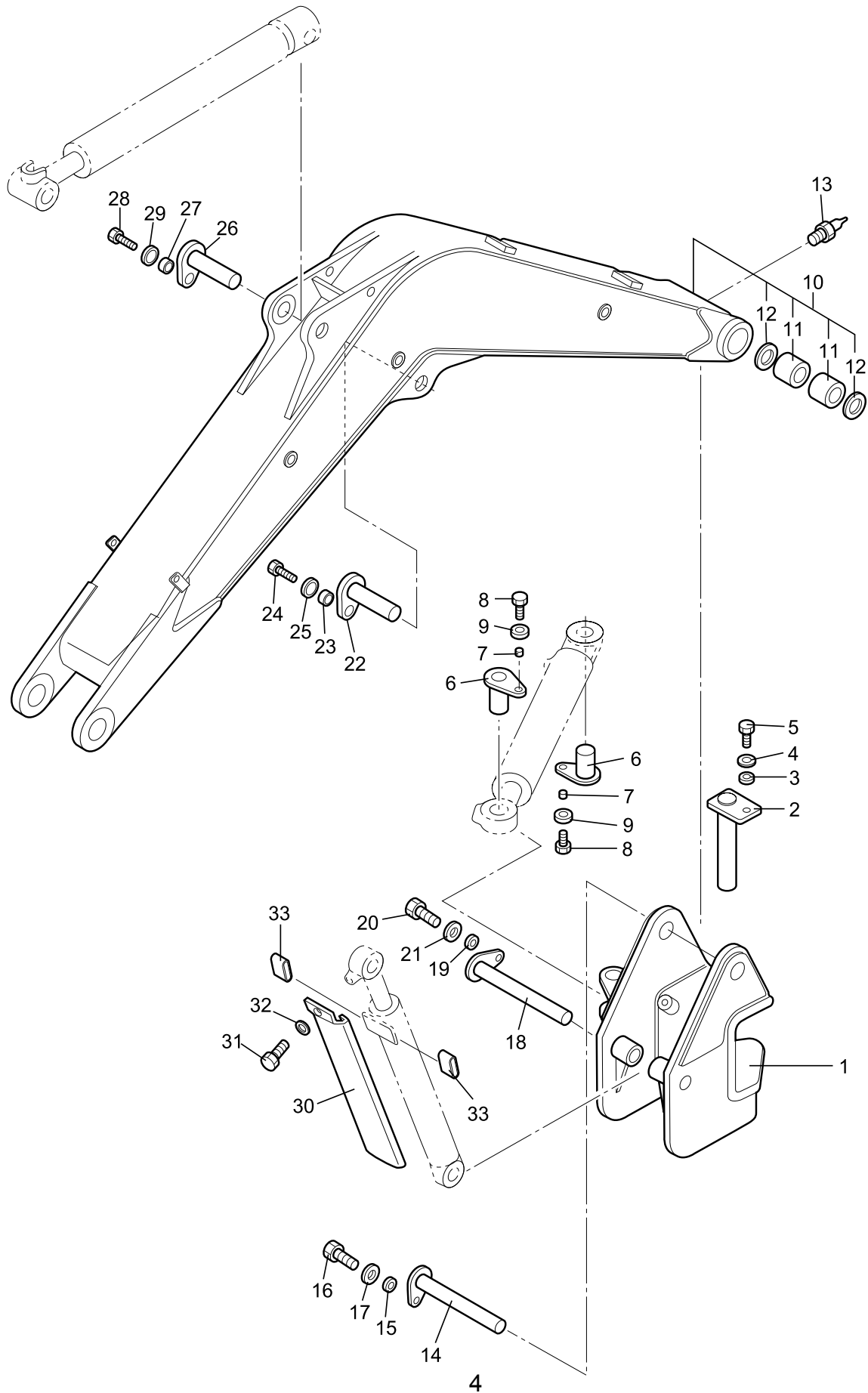
Tech. Library <https://engine.od.ua>

# HYUNDAI

## Excavator R16-7

Page	Contents	Serial No	Revision_No
<b>1</b>	<b>WORK EQUIPMENT</b>		
1002	WORK EQUIPMENT 1		
1006	WORK EQUIPMENT 2		2006.11.30 REV.6L
<b>2</b>	<b>UPPER FRAME</b>		
2010	SWING FRAME		
2014	FLOOR PLATE		
2018	CONTROL SYSTEM 1		
2020	CONTROL SYSTEM 2		
2024	CONTROL SYSTEM 3		
2028	TANK UNIT		
2032	ENGINE COVER		
2036	CANOPY		
2038	TOOL BOX		
2040	CABIN		2009. 7.31 REV.9G
2044	DOOR(FRONT, SIDE)		
2048	CABIN PIPING		
<b>3</b>	<b>LOWER MACHINE</b>		
3052	TRACK FRAME 1		
3056	TRACK FRAME 2		
<b>4</b>	<b>POWER UNIT</b>		
4060	POWER UNIT 1		2006. 7.31 REV.6G
4064	POWER UNIT 2		2009. 2.28 REV.9B
4068	POWER UNIT 3		
<b>5</b>	<b>HYDRAULIC PIPING</b>		
5072	WORK EQUIPMENT PIPING		
5076	PTO PIPING		
5078	UPPER FRAME PIPING 1		
5080	UPPER FRAME PIPING 2		
5082	UPPER FRAME PIPING 3		
5084	UPPER FRAME PIPING 4		
5088	CHASSIS FRAME PIPING		
<b>6</b>	<b>HYDRAULIC COMPONENT</b>		
6092	CONTROL VALVE 1		
6094	CONTROL VALVE 2		
6096	BOOM CYLINDER		
6100	ARM CYLINDER		
6102	BUCKET CYLINDER		
6104	DOZER CYLINDER		
6106	SWING CYLINDER		
6108	EXTEND CYLINDER		
6110	SWIVEL JOINT		
6112	PUMP		
6114	DRIVE MOTOR		
6118	TURNING MOTOR		
6120	JOYSTICK VALVE		
6122	SELECTOR VALVE		
6124	SOLENOID VALVE		
<b>7</b>	<b>ELECTRIC SYSTEM</b>		
7128	ELECTRIC SYSTEM		2006. 6.30 REV.6F
<b>8</b>	<b>LABEL</b>		
8134	LABEL(ENGLISH)		
8148	TOOLS		
<b>9</b>	<b>OPTION</b>		
9138	J/D LEVER PATTERN PIPING		
9140	TEST COUPLING		
9142	SEAT BELT WINDING TYPE		
9144	CUT OFF SWITCH		
<b>A</b>	<b>ENGINE BASE</b>		
A010	CRANK CASE		

A020	OIL PAN & GEAR CASE		
A030	CYLINDER HEAD		
A040	MAIN MOVING PARTS		
A050	TIMING PARTS		
A060	FUEL SUPPLY PARTS		
A070	FUEL INJECTION PUMP		
A080	NOZZLE & NOZZLE HOLDER		
A090	FUEL FILTER(A)		
A100	FUEL FILTER(B)		
A110	GOVERNOR PARTS		
A120	LUBRICATING PARTS		
A130	COOLING PARTS		
A150	INTAKE & EXHAUST PARTS		
A170	MUFFLER		
A180	ELECTRIC PARTS		2006. 7.31 REV.6G
A190	STARTER		
A200	ALTERNATOR		
A210	INSTRUMENT PARTS		
A220	REPAIR GASKET KIT		



Item	Part_No	IS	Ord	T	Description	Qty	Serial_No	ITC	Remark
1	XJDH-01301				SWING POST	1			
2	XJDH-01428				PIN-SWING POST	1			
3	XJDH-01148				COLLAR-POST PIN	1			
4	XJDH-01149				WASHER	1			
5	XJDH-00083				BOLT	1			
6	XJDH-01394				PIN-DOZER CYLINDER	2			
7	XJDH-03725				COLLAR	2			
8	XJDH-00152				BOLT	2			
9	XJDH-00280				WASHER	2			
10	XJDH-01302				BOOM	1			
11	XJDH-01420				.BUSHING	2			
12	XJDH-00362				.SEAL-DUST	2			
13	XJDH-00373				NIPPLE-GREASE	1			
14	XJDH-01429				PIN-BOOM	1			
15	XJDH-01181				COLLAR	1			
16	XJDH-00152				BOLT	1			
17	XJDH-00280				WASHER	1			
18	XJDH-01430				PIN-BOOM CYL HEAD	1			
19	XJDH-01181				COLLAR	1			
20	XJDH-00152				BOLT	1			
21	XJDH-00280				WASHER	1			
22	XJDH-01307				PIN-CYLINDER	1			
23	XJDH-01181				COLLAR	1			
24	XJDH-00152				BOLT	1			
25	XJDH-00280				WASHER	1			
26	XJDH-01307				PIN-CYLINDER	1			

[ Item List ] - Print Date : 2022.07.22 22:07

Item	Part_No	IS	Ord	T	Description	Qty	Serial_No	ITC	Remark
27	XJDH-01181				COLLAR	1			
28	XJDH-00152				BOLT	1			
29	XJDH-00280				WASHER	1			
30	XJDH-01415				COVER-BOOM CYLINDER	1			
31	XJDH-02886				BOLT	1			
32	XJDH-00280				WASHER	1			
33	XJDH-01524				TUBE-VINYL	2			



Item	Part_No	IS	Ord	T	Description	Qty	Serial_No	ITC	Remark
1	XJDH-01155				TANK-FUEL	1			
2	XJDH-00032				BOLT	4			
3	XJDH-00276				WASHER	4			
4	XJDH-01785				GAUGE-FUEL	1			
5	XJDH-00226				SCREW-FLAT HEAD	2			
6	XJDH-01020				STRAINER	1			
7	XJDH-01223				CAP-TANK	1			
8	XJDH-01224				PACKING	1			
9	XJDH-01526				UNIT-SENDER	1			
10	XJDH-02873				BOLT	5			
11	XJDH-00238				WASHER-SPRING	5			
12	XJDH-01004				COCK-DRAIN	1			
13	XJDH-02953				HOSE-VINYL	1			
14	XJDH-02957				CLIP	1			
15	XJDH-01265				TANK-HYD	1			
16	XJDH-00032				BOLT	3			
17	XJDH-00276				WASHER	3			
18	XJDH-00976				PLUG	1			
19	XJDH-02920				.O-RING	1			
20	XJDH-02810				FILTER-SUCTION	1			
21	XJDH-00358				O-RING	1			
22	XJDH-03808				FLANGE	1			
23	XJDH-00032				BOLT	4			
24	XJDH-00276				WASHER	4			
25	XJDH-01003				GAUGE-LEVEL	1			
26	XJDH-03809				PLUG	1			

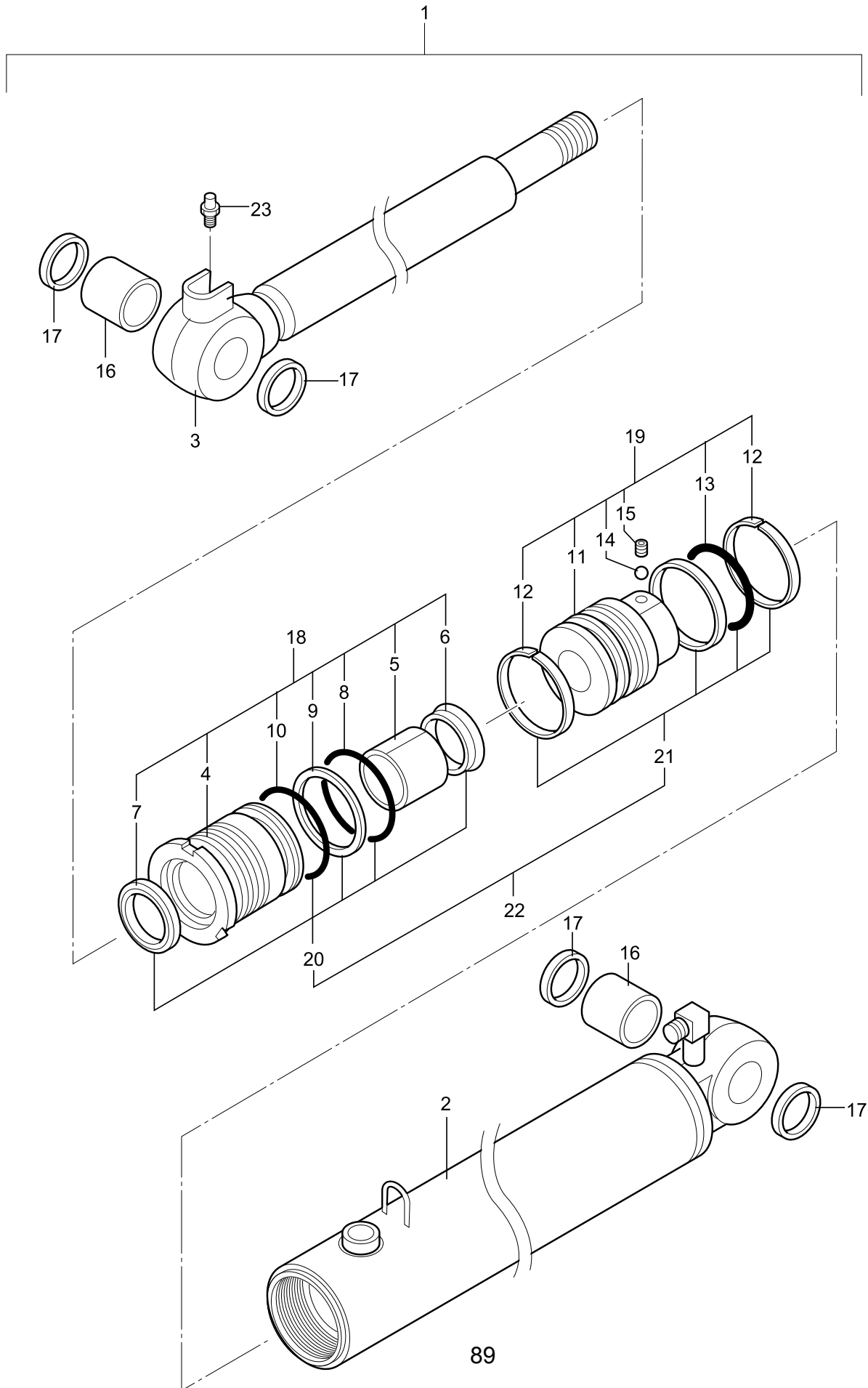
[ Item List ] - Print Date : 2022.07.22 22:07



Item	Part_No	IS	Ord	T	Description	Qty	Serial_No	ITC	Remark
27	XJDH-01262				COVER-BATTERY	1			
28	XJDH-00032				BOLT	2			
29	XJDH-00276				WASHER	2			
30	XJDH-00805				PLUG-RUBBER CUSHION	1			
31	XJDH-02986				GROMMET	1			
32	XJDH-03810				FOAM-URETHAN	1			

# SWING CYLINDER

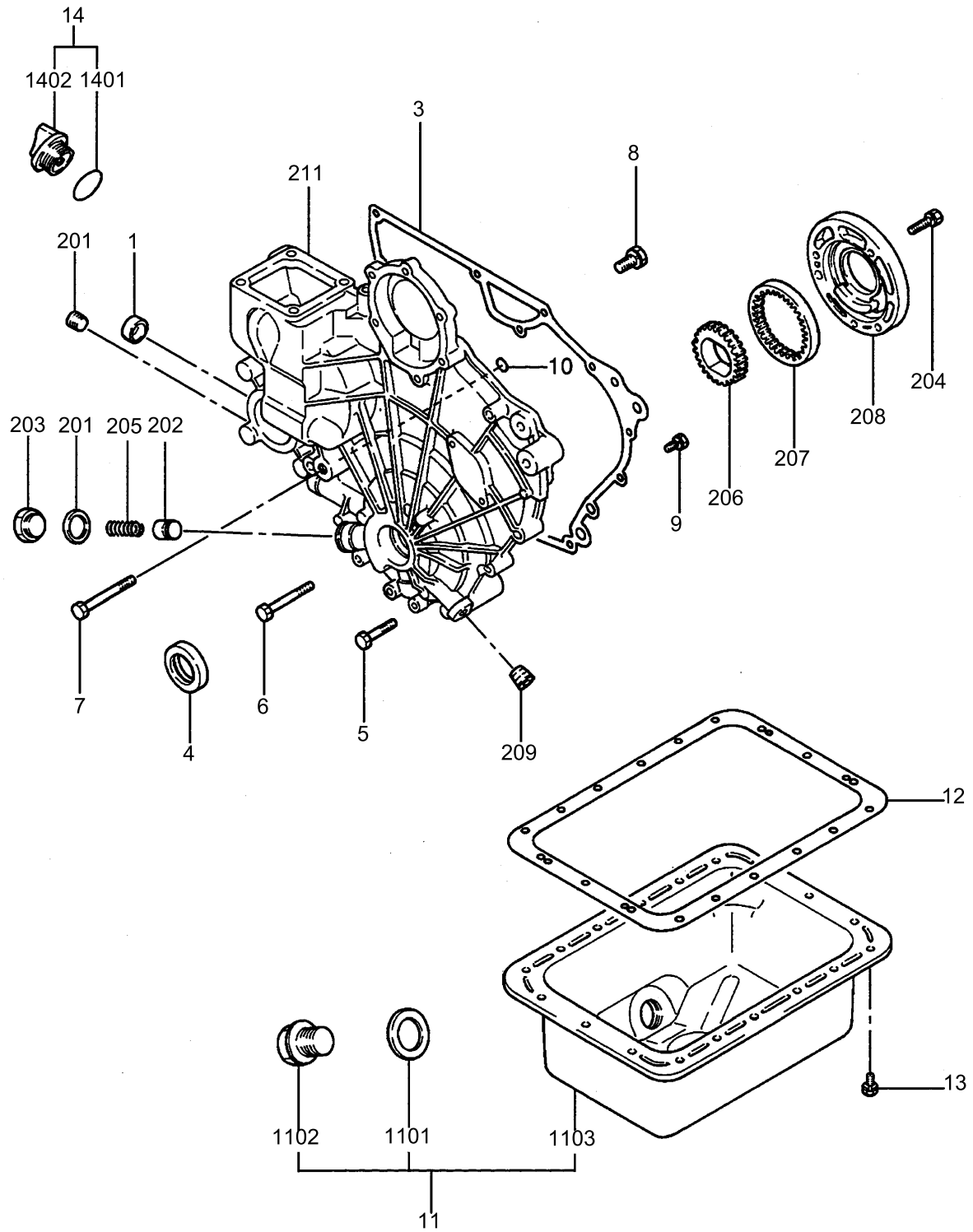
F28



Item	Part_No	IS	Ord	T	Description	Qty	Serial_No	ITC	Remark
1	XJDH-02815				SWING CYLINDER ASSY	1			INC 2-17
2	XJDH-03158				.CYLINDER TUBE ASSY	1			
3	XJDH-03159				.PISTON ROD ASSY	1			
4	XJDH-03149				.CYLINDER HEAD	1			
5	XJDH-03150				.BUSHING	1			
6	XJDH-03151				.U-RING	1			
7	XJDH-03117				.RING-WIPER	1			
8	XJDH-03118				.O-RING	1			
9	XJDH-03119				.RING-BACK UP	1			
10	XJDH-03121				.O-RING	1			
11	XJDH-03152				.PISTON	1			
12	XJDH-03153				.RING-SLIDE	2			
13	XJDH-03127				.RING ASSY-SEAL	1			
14	XJDH-03128				.BALL-STEEL	1			
15	XJDH-03154				.SCREW-SET	1			
16	XJDH-03131				.BUSHING-PIN	2			
17	XJDH-03132				.SEAL-DUST	4			
18	XJDH-03156				CYLINDER HEAD ASSY	1			INC 4-10
19	XJDH-03157				PISTON ASSY	1			INC 11-15
20	XJDH-03160				ROD PACKING ASSY	1			INC 6-10
21	XJDH-03161				PISTON PACKING ASSY	1			INC 12,13
22	XJDH-02816				PACKING ASSY	1			INC 20,21
23	XJDH-00373				NIPPLE-GREASE	1			

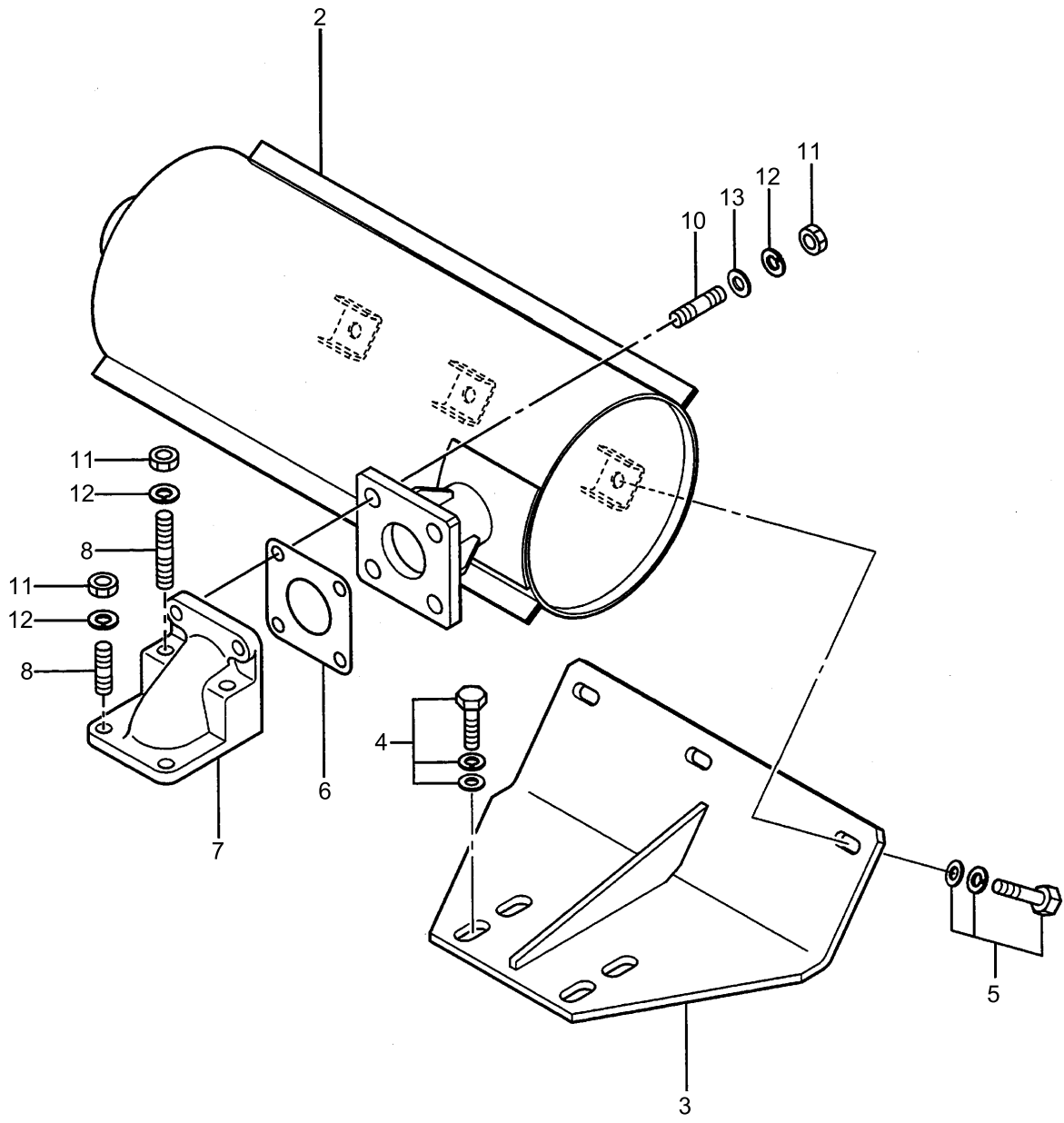
[ Item List ] - Print Date : 2022.07.22 22:07

# OIL PAN & GEAR CASE



Item	Part_No	IS	Ord	T	Description	Qty	Serial_No	ITC	Remark
1	XJAF-02118				CAP-SEALING	1			
2	XJAF-01575				CASE ASSY-GEAR	1			
201	XJAF-01111				.GASKET	1			
202	XJAF-01939				.PLUNGER	1			
203	XJAF-01110				.PLUG,DRAIN	1			
204	XJAF-01982				.BOLT-W/WASHER	3			
205	XJAF-02159				.SPRING-RELIEF	1			
206	XJAF-02169				.GEAR-OIL PUMP INNER	1			
207	XJAF-02170				.GEAR-OIL PUMP OUTER	1			
208	XJAF-02183				.HOUSING-OIL PUMP	1			
209	XJAF-02230				.PLUG-TAPER	1			
210	XJAF-00201				.PLUG-TAPER	1			
211	XJAF-01574				.CASE SUB ASSY-GEAR	1			
3	XJAF-01577				GASKET-GEAR CASE	1			
4	XJAF-01944				SEAL-OIL	1			
5	XJAF-01966				BOLT	3			
6	XJAF-01968				BOLT	4			
7	XJAF-01970				BOLT	1			
8	XJAF-01976				BOLT W/WASHER	3			
9	XJAF-01979				BOLT-W/WASHER	4			
10	XJAF-02012				O-RING	2			
11	XJAF-02202				PAN ASSY-OIL	1			
1101	XJAF-01111				.GASKET	1			
1102	XJAF-01932				.PLUG-OIL DRAIN	1			
N1103	@				.PAN SUB ASSY-OIL	1			NOT
12	XJAF-01579				GASKET-OIL PAN	1			

# MUFFLER



Item	Part_No	IS	Ord	T	Description	Qty	Serial_No	ITC	Remark
2	XJAF-01591				MUFFLER ASSY	1			
3	XJAF-01590				BRACKET	1			
4	XJAF-01869				BOLT-W/WASHER	4			
5	XJAF-01866				BOLT-W/WASHER	3			
6	XJAF-01551				GASKET	2			
7	XJAF-02037				ELBOW	1			
8	XJAF-01987				STUD	2			
9	XJAF-01985				STUD	2			
10	XJAF-01986				STUD	4			
11	XJAF-02201				NUT	8			
12	XJAF-02002				WASHER-SPRING	8			
13	XJAF-01998				WASHER-PLAIN	4			

[ Item List ] - Print Date : 2022.07.22 23:07