

PARTS CATALOG

**Crawler Excavator
R80-7**

Use the bookmarks for navigation inside the Parts book

Tech. Library <https://engine.od.ua>

HYUNDAI

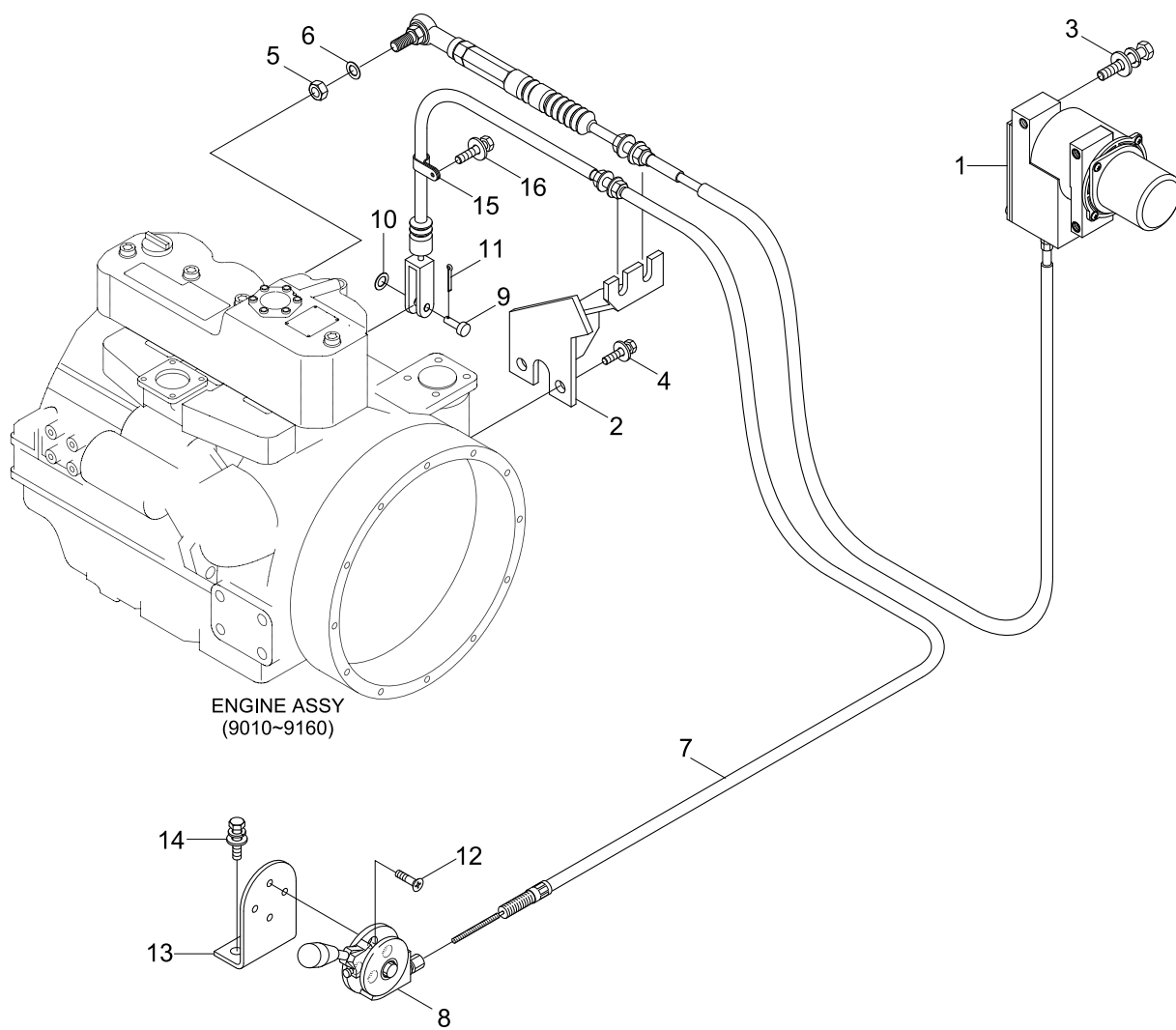
Excavator R80-7

Page	Contents	Serial_No	Revision_No
1	ENGINE SYSTEM		
1010	ENGINE MOUNTING		2009. 10.31. REV.9K
1020	ENGINE CONTROL SYSTEM		
1030	AIR INTAKE SYSTEM		
1040	EXHAUST SYSTEM(-#0006)	- #0006	2006. 4.30 REV.6D
1041	EXHAUST SYSTEM(#0007-)	#0007 -	2009. 10. 31 REV.9K
1050	COOLING SYSTEM		2006. 4.30 REV.6D
1060	RADIATOR TOTAL ASSY		2005. 8.31 REV.5H
1070	FUEL SYSTEM		2009. 10.31.REV.9K
1080	FUEL TANK		2006. 7.31 REV.6G
1100	AIRCON & HEATER MOUNTING		2010. 6.30 REV.10F
1110	AIRCON & HEATER UNIT(-#0006)	- #0006	2006. 4.30 REV.6D
1111	AIRCON & HEATER UNIT(#0007-)	#0007 -	2010. 6.30 REV.10F
1120	AIR CONDITIONER MOUNTING		2010. 6.30 REV.10F
1130	AIR CONDITIONER UNIT		2010. 6.30 REV.10F
1140	HEATER MOUNTING		2007.10.31 REV.7K
1150	HEATER UNIT(-#0006)	- #0006	2006. 4.30 REV.6D
1151	HEATER UNIT(#0007-)	#0007 -	2006. 4.30 REV.6D
1160	AIRCON & HEATER MOUNTING(AUTO)		2008. 6.30 REV.8F
1170	AIRCON & HEATER UNIT-FATC		2006. 8.31 REV.6H
2	ELECTRIC SYSTEM		
2010	RH ELECTRIC		2009. 8.31 REV.9H
2020	LH ELECTRIC		2005.10.31 REV.5K
2030	BOOM ELECTRIC		2005. 8.31 REV.5H
2040	ENGINE ELECTRIC		2009. 8.31 REV.9H
2050	CAB ELECTRIC 1		2010. 2.28 REV.10B
2060	CAB ELECTRIC 2		2010. 2.28 REV.10B
2070	CAB ELECTRIC 3		2008. 6.30 REV.8F
2075	ELEC CAB LAMP SUB ASSY(OPTION)	#0130 -	2008. 6.30 REV.8F
2080	CLUSTER		
3	HYDRAULIC SYSTEM		
3010	PUMP MOUNTING		
3020	HYDRAULIC TANK		2006. 6.30 REV.6F
3100	UPPER HYD PIPING 1		2006. 6.30 REV.6F
3110	UPPER HYD PIPING 2		2008. 1.31 REV.8A
3120	UPPER HYD PIPING 3		2006. 6.30 REV.6F
3200	PILOT HYD PIPING(CONTROL 1)		2008. 1.31 REV.8A
3210	PILOT HYD PIPING(CONTROL 2)		2007. 3.31 REV.7C
3220	PILOT HYD PIPING(CONTROL 3)		2008. 3.31 REV.8C
3225	PILOT HYD PIPING(2WAY, #0007-)	#0007 -	2006. 4.30 REV.6D
3230	PILOT HYD PIPING(BASE 1)		
3240	PILOT HYD PIPING(BASE 2)		
3250	PILOT HYD PIPING(BASE 3)		
3300	TRAVEL HYD PIPING		2008. 1.31 REV.8A
3400	BOOM HYD PIPING(3.7M, STD)		2006. 6.30 REV.6F
3410	ARM HYD PIPING		2006. 6.30 REV.6F
3500	BOOM SAFETY LOCK SYSTEM(#0007-)	#0007 -	2008. 4.30 REV.8D
3510	ARM SAFETY LOCK SYSTEM(#0007-)	#0007 -	2006. 4.30 REV.6D
3520	QUICK CLAMP HYD PIPING(#0013-)	#0013 -	2006. 6.30 REV.6F
3525	QUICK CLAMP ASSY(#0013-)	#0013 -	2006. 4.30 REV.6D
3527	QUICK CLAMP ASSY(#0013-)	#0013 -	2006. 4.30 REV.6D
3530	QUICK CLAMP ASSY 3(#0091-)	#0091 -	2006.11.30 REV.6L
3540	QUICK CLAMP ASSY 4(#0091-)	#0091 -	2006.11.30 REV.6L
3550	QUICK CLAMP CYLINDER(#0091-)	#0091 -	2006.11.30 REV.6L
3600	SINGLE ACTING MAIN PIPING KIT	#0001 -	2008. 8.31 REV.8H
3610	DOUBLE ACTING MAIN PIPING KIT	#0001 -	2008. 8.31 REV.8H
3620	DOUBLE ACTING ATTACH PIPING KIT	#0001 -	2006.10.31 REV.6K
4	HYDRAULIC COMPONENT		
4010	MAIN PUMP(1/2)		
4020	MAIN PUMP(2/2)		
4100	MAIN CONTROL VALVE(1/4)		

4110	MAIN CONTROL VALVE(2/4)		2006. 7.31 REV.6G
4120	MAIN CONTROL VALVE(3/4)		
4130	MAIN CONTROL VALVE(4/4)		
4200	SWING MOTOR(MOTOR UNIT)		
4210	SWING MOTOR(REDUCTION GEAR)		
4300	TRAVEL MOTOR(1/3)		2008.10.31 REV.8K
4310	TRAVEL MOTOR(2/3)		2008.10.31 REV.8K
4320	TRAVEL MOTOR(3/3)		2008.10.31 REV.8K
4400	REMOTE CONTROL LEVER		
4410	REMOTE CONTROL PEDAL		
4420	TURNING JOINT		2009. 8.31 REV.9H
4430	SOLENOID VALVE		
4500	BOOM CYLINDER		
4505	BOOM CYLINDER WITH VALVE	#0007 -	2008. 6.30 REV.8F
4510	ARM CYLINDER		2009.10.30 REV.9K
4515	ARM CYLINDER WITH VALVE	#0007 -	2009.10.30 REV.9K
4520	BUCKET CYLINDER	- #0252	2009. 3.31 REV.9C
4521	BUCKET CYLINDER	#0253 -	2009. 3.31 REV.9C
4530	DOZER BLADE CYLINDER		2010. 5.31 REV.10E
4600	SINGLE PEDAL(DOUBLE ACTING)	#0001 -	2006.10.31 REV.6K
5	UNDERCARRIAGE		
5010	UNDERCARRIAGE MOUNTING		2008. 7.31 REV.8G
5100	UPPER ROLLER		2005. 8.31 REV.5H
5110	LOWER ROLLER		2006. 4.30 REV.6D
5120	IDLER & TENSION CYL ASSY		2009. 3.31 REV.9C
5130	TRACK CHAIN		2010. 1. 4 REV.10A
6	STRUCTURE		
6010	CAB MOUNTING		2009. 12.10 REV.9M
6100	CAB ASSY(1/6, STD & FOG TYPE)		2009.12.30 REV.9M
6105	CAB ASSY(1/6, ROOF TYPE)		2009.12.30 REV.9M
6110	CAB ASSY(2/6)		2007.10.31 REV.7K
6115	CAB ASSY(2/6, #0171-)	#0171 -	2008. 11.30 REV.8L
6120	CAB ASSY(3/6)		2008. 6.30 REV.8F
6130	CAB ASSY(4/6, DOOR)		2008. 11.30 REV.8L
6140	CAB ASSY(5/6, SASH ASSY)		2007.10.31 REV.7K
6150	CAB ASSY(6/6, DOOR LATCH ASSY)		
6200	CAB INTERIOR 1		2007.10.31 REV.7K
6210	CAB INTERIOR 2		2007.10.31 REV.7K
6220	CONSOLE BOX(1/2, LH)		
6230	CONSOLE BOX(2/2, LH)		
6240	CONSOLE BOX(RH)		2006. 2.28 REV.6B
6250	SEAT BASE ASSY		2007.10.31 REV.7K
6260	SEAT		
6265	SEAT 2		
6266	SEAT 3(#0093-)	#0093 -	2006. 9.30 REV.6J
6268	SEAT 4(#0137-)	#0137 -	2008. 4.30 REV.8D
6270	STORAGE BOX COVER ASSY		
6280	BOTTOM PLATE MOUNTING		
6290	CAB PROTECTOR ASSY(OPTION)	#0130 -	2008. 6.30 REV.8F
6300	COWLING		2008. 5.31 REV.8E
6310	ENGINE HOOD SUB ASSY		2006.11.30 REV.6L
6320	TOOL BOX ASSY		2007. 4.30 REV.7D
6330	UNDER COVER		2007.11.30 REV.7L
6340	GROMMET GROUP		2006. 6.30 REV.6F
6400	UPPER FRAME & COUNTERWEIGHT		2008.10.31 REV.8K
6410	LOWER FRAME & COVER		2010. 3.31 REV.10C
6420	SWING RING GREASE LUB SYSTEM		2010. 7.31 REV.10G
6500	DOZER BLADE INSTALL		2006.12.31 REV.6M
7	ATTACHMENT		
7010	BOOM MOUNTING		2009. 4.21 REV.9D
7100	BOOM(3.7M, STD)		
7200	ARM(1.67M, STD)		

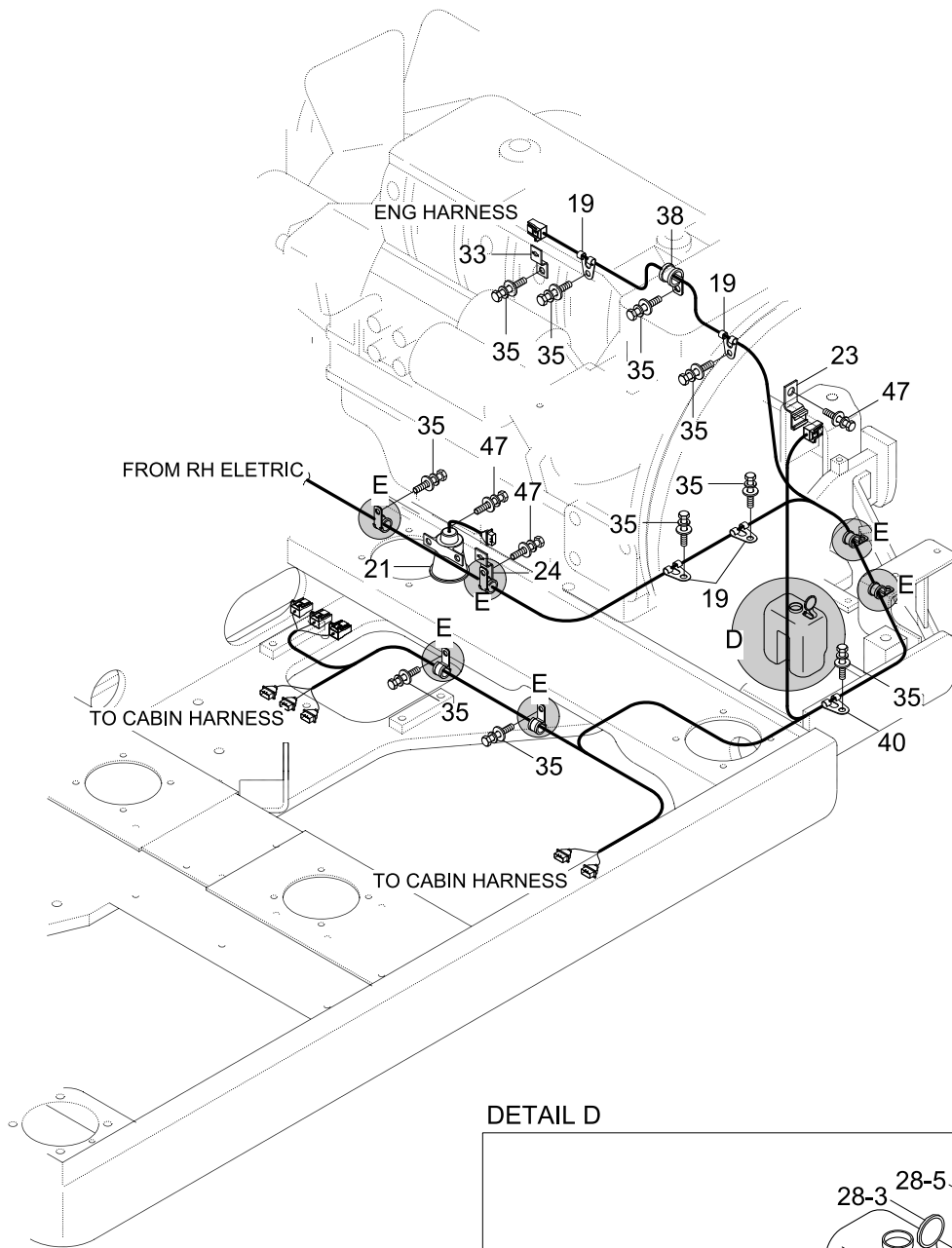
7210	ARM(2.21M)		2006. 6.30 REV.6F
7300	BUCKET(0.28M3 SAE HEAPED, STD)		2007. 6.30 REV.7F
7310	BUCKET(0.15M3 SAE HEAPED)		2007. 6.30 REV.7F
7320	BUCKET(0.30M3 SAE HEAPED)		2008. 3.31 REV.8C
7400	BUCKET CONTROL GROUP		2006.12.31 REV.6M
8	OTHERS		
8010	TOOLS		2009. 12.14 REV.9M
8100	DECALS		2010. 5.31 REV.10E
9	ENGINE BASE		
9010	CYLINDER BLOCK		
9020	GEAR HOUSING		
9030	FLYWHEEL HOUSING & OIL SUMP		
9040	CYLINDER HEAD & BONNET		2010. 6.30 REV 10F
9050	SUCTION & EXHAUST MAINFOLD		
9060	CAMSHAFT & DRIVING GEAR		
9070	CRANKSHAFT & PISTON		
9080	LUB.OIL SYSTEM		
9090	COOLING WATER SYSTEM		2009. 9.30 REV.9J
9100	FUEL INJECTION PUMP		2007.10.31 REV.7K
9110	GOVERNOR		
9120	FUEL INJECTION VALVE		
9130	FUEL LINE		
9140	STARTING MOTOR		
9150	ALTERNATOR		
9160	GASKET SET		

ENGINE CONTROL SYSTEM

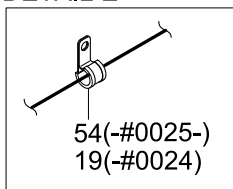


Item	Part_No	IS	Ord	T	Description	Qty	Serial_No	ITC	Remark
1	21EN-32240				ACTUATOR-ACCEL	1			
2	11N1-60005				BRACKET	1			
3	S035-082522				BOLT-W/WASHER	3			
4	S037-103552				BOLT-W/WASHER	2			
5	S205-082002				NUT-HEX	1			
6	S403-080002				WASHER-PLAIN	1			
7	11N1-60011				CABLE-PULL	1			
8	11N6-63041				LEVER-EMERGENCY	1			
9	S491-060202				PIN-CLEVIS	1			
10	S403-061002				WASHER-PLAIN	1			
11	S461-120162				PIN-SPLIT	1			
12	S141-080142				SCREW-FLAT HD	4			
13	11N6-63050				BRACKET	1			
14	S037-102522				BOLT-W/WASHER	2			
15	S541-140002				CLAMP-TUBE	1			
16	S037-101552				BOLT-W/WASHER	1			

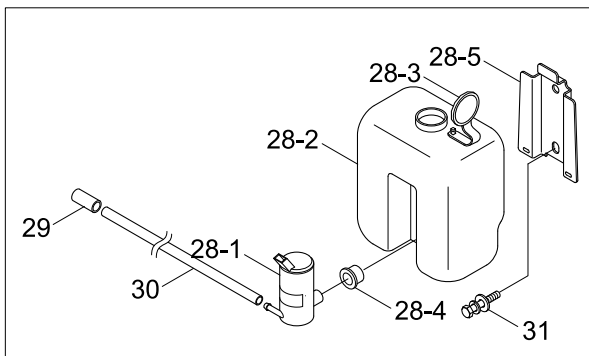
LH ELECTRIC



DETAIL E

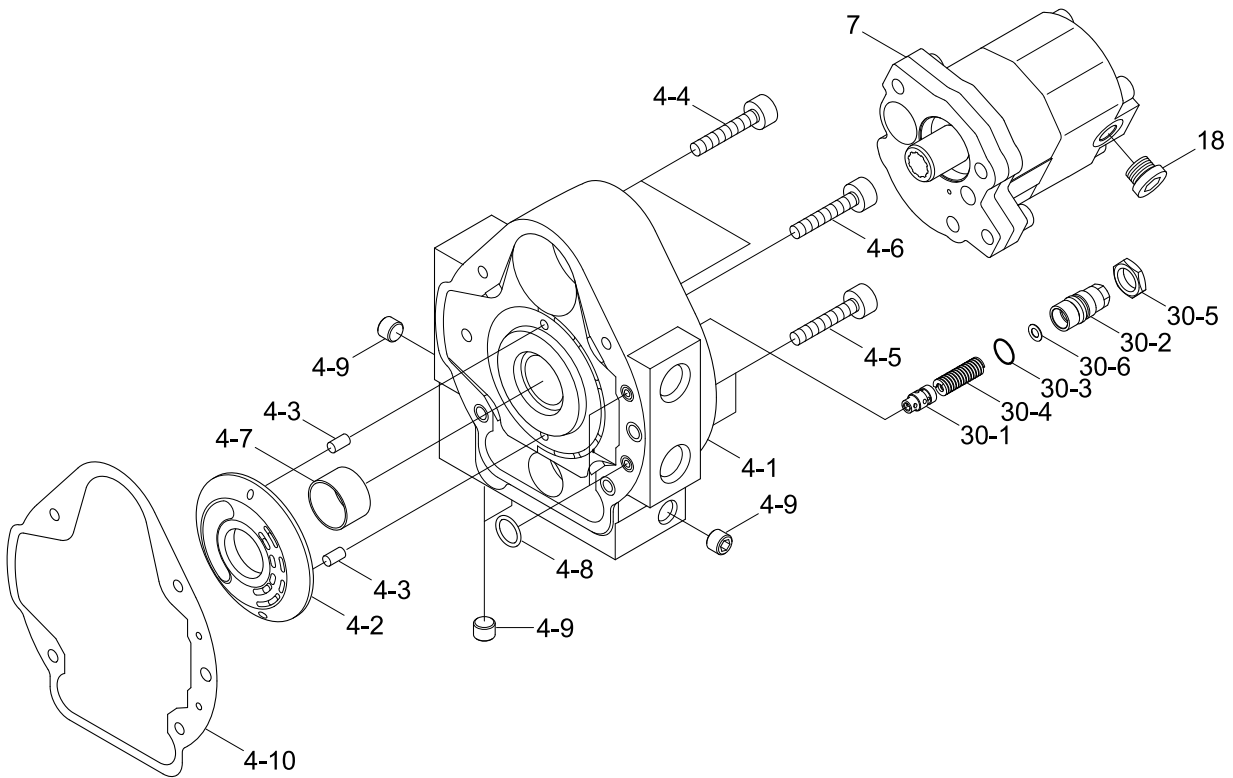
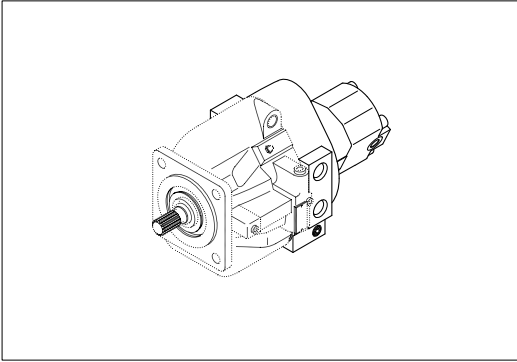


DETAIL D



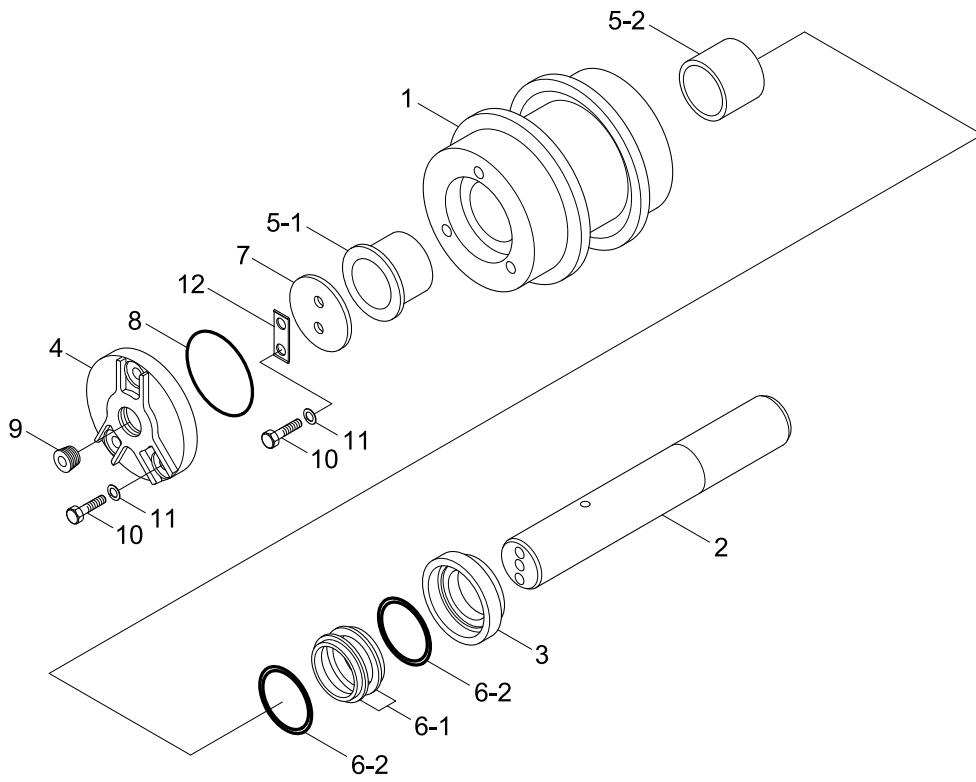
Item	Part_No	IS	Ord	T	Description	Qty	Serial_No	ITC	Remark
19	21E9-00170				CLIP-HARNESS	17	- #0024		
					CLIP-HARNESS	9	#0025 -	A	
21	21N6-20321				BUZZER-TRAVEL ALARM	1	- #0020		
	21N6-20322				BUZZER-TRAVEL ALARM	1	#0021 -	D	
23	25D1-10640				CLIP ASSY	1			
24	25D1-10650				CLIP ASSY	3			
28	21EG-30630				WASHER TANK ASSY	1			
28-1	21EG-10130				.PUMP-MOTOR	1			
28-2	21EG-10140				.TANK	1			
28-3	24L3-30660				.CAP	1			
28-4	24L3-30670				.RUBBER-BUSHING	1			
28-5	24L3-30710				.PLATE	1			
29	21EM-30570				CONNECTOR-TUBE	1			
30	21EM-30581				HOSE-RUBBER	1			
31	S035-061522				BOLT-W/WASHER	5			
33	21N4-01130				PLATE-CLIP	2			
35	S037-102022				BOLT-W/WASHER	13			
38	S543-240002				CLAMP-TUBE	1			
40	S593-000902				CLIP-HARNESS	2			
47	S037-101552				BOLT-W/WASHER	3			
54	S543-260002				CLAMP-TUBE	8	#0025 -	B	

MAIN PUMP(2/2)



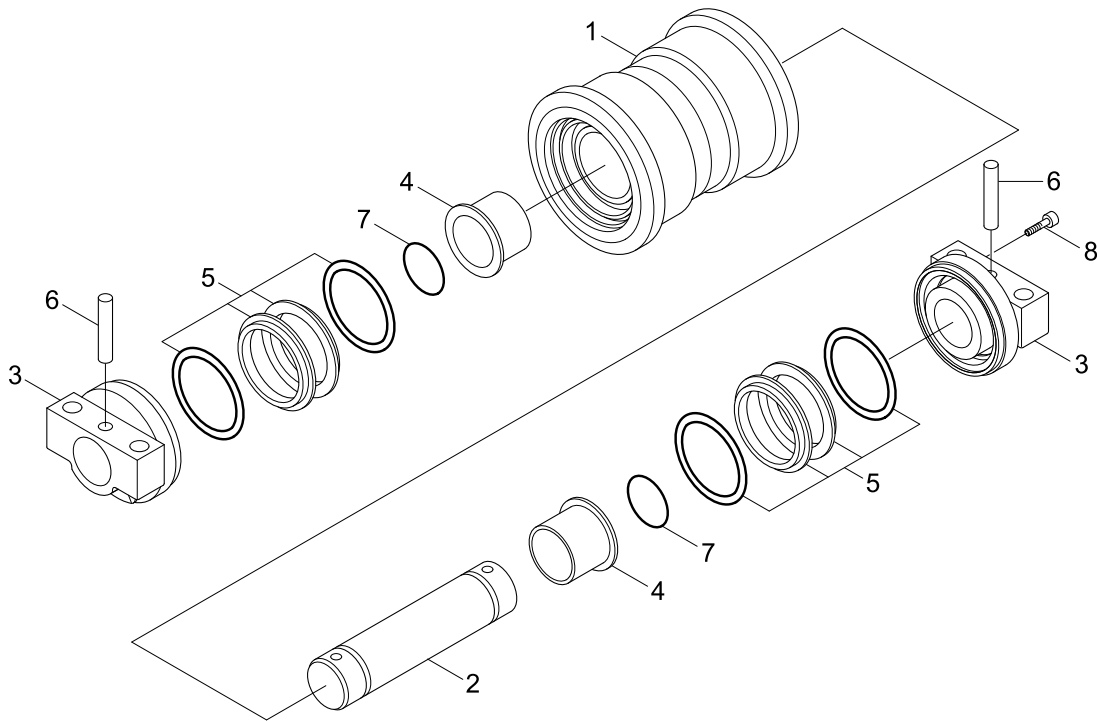
Item	Part_No	IS	Ord	T	Description	Qty	Serial_No	ITC	Remark
*	@				MAIN PUMP	1			NOT
4	XJDD-00005				..PORT PLATE ASSY	1			
4-1	XJDD-00047				..COVER	1			
4-2	XJDD-00048				..PLATE-CONTROL	1			
4-3	XJDD-00049				..PIN-PARALLEL	2			
4-4	XJDD-00050				..BOLT	2			
4-5	XJDD-00051				..BOLT	2			
4-6	XJDD-00052				..BOLT	1			
4-7	XJDD-00053				..BEARING	1			
4-8	XJDD-00023				..RING-SQUARE	2			
4-9	XJDD-00054				..PLUG	3			
4-10	XJDD-00055				..PACKING	1			
7	XJDD-00008				..PUMP-GEAR	1			
18	XJDD-00019				..PLUG	1			
30	XJDD-00100				..RELIEF VALVE	1			
30-1	XJDD-00101				..SPOOL	1			
30-2	XJDD-00102				..SCREW-ADJUST	1			
30-3	XJDD-00103				..O-RING	1			
30-4	XJDD-00104				..SPRING	1			
30-5	XJDD-00105				..NUT	1			
30-6	XJDD-00106				..SHIM	1			

UPPER ROLLER



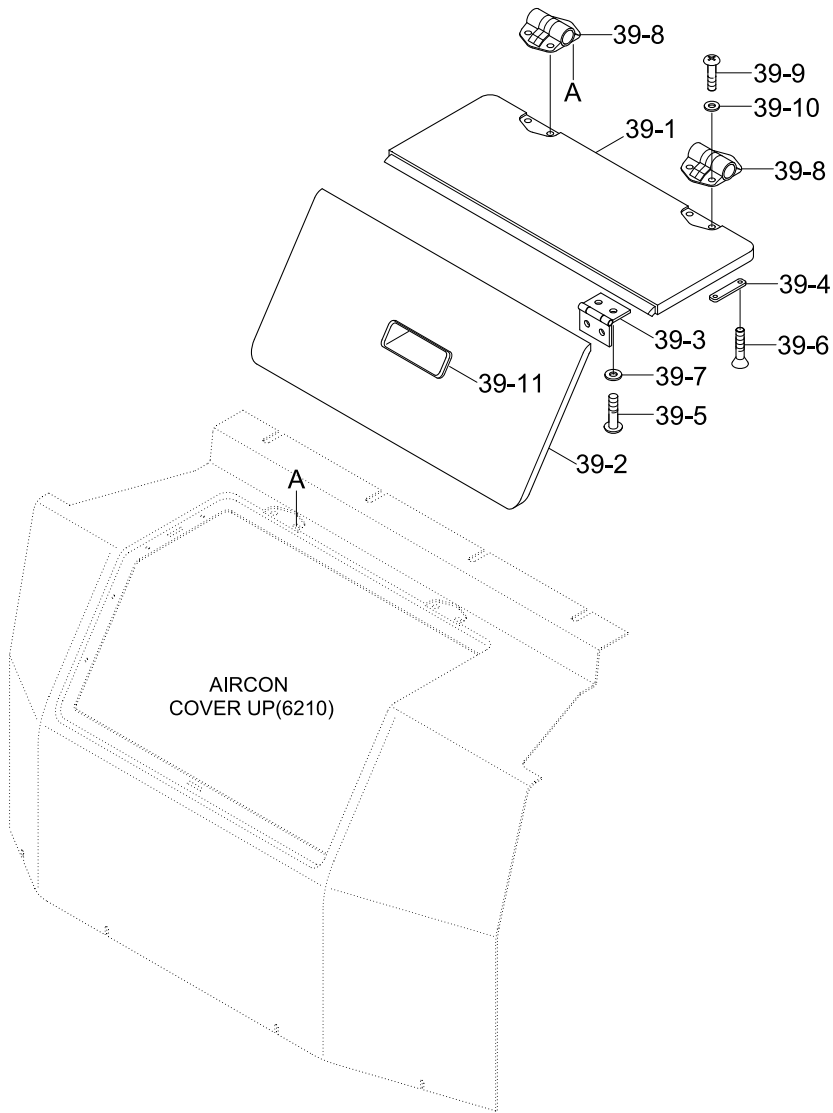
Item	Part_No	IS	Ord	T	Description	Qty	Serial_No	ITC	Remark
*	81N1-12010				ROLLER-UPPER	1	#0001 -	-	
1	81N1-12100				.SHELL-ROLLER	1			
2	81N1-12110				.SHAFT	1			
3	81N1-12120				.RETAINER	1			
4	81N1-12130				.COVER	1			
5	81N1-12180				.BUSHING	1			
5-1	81N1-12320				..BUSHING-A	1			
5-2	81N1-12330				..BUSHING-B	1			
6	81N3-12140				.SEAL-GROUP	1			
6-1	81N3-12150				..SEAL-FLOATING	2			
6-2	81N3-12160				..O-RING(GROUP SEAL)	2			
7	81N1-12200				.PLATE	1			
8	S632-050001				.O-RING	1			
9	P220-430201				.PLUG	1			
10	S017-080202				.BOLT-HEX	5			
11	S411-080002				.WASHER-SPRING	5			
12	81N1-12250				.PLATE-LOCK	1			

LOWER ROLLER



Item	Part_No	IS	Ord	T	Description	Qty	Serial_No	ITC	Remark
*	81N1-11010				ROLLER-LOWER	10			STD
	81N1-11050				ROLLER-LOWER	10	#0021 -	-	RUBBER TRACK
1	81N1-11100				.SHELL-ROLLER	1			STD
	81N1-11500				.SHELL-ROLLER	1	#0021 -	-	RUBBER TRACK
2	81N1-11110				.SHAFT	1			
3	81N1-11120				.COLLAR	2			
4	81N1-11140				.BUSHING	2			
5	81N1-11160				.SEAL-GROUP	2			
6	81N1-11150				.PIN	2			
7	S632-035001				.O-RING	2			
8	P220-430201				.PLUG	1			

STORAGE BOX COVER ASSY



Item	Part_No	IS	Ord	T	Description	Qty	Serial_No	ITC	Remark
39	71N6-20320				S/BOX COVER ASSY	1			
39-1	71N6-21721				.S/BOX COVER-UP	1			
39-2	71N6-21731				.S/BOX COVER-LOW	1			
39-3	71N6-21740				.HINGE	2			
39-4	71N6-21750				.PLATE	3			
39-5	S161-060146				.SCREW-CROSS R/ROUND	8			
39-6	S141-050106				.SCREW-FLAT HD	4			
39-7	S403-062006				.WASHER-PLAIN	8			
39-8	71N6-21900				.HINGE	2			
39-9	S161-050126				.SCREW-CROSS R/ROUND	4			
39-10	S403-052006				.WASHER-PLAIN	4			
39-11	71N6-21920				.DOOR-PULL	1			